

PWM Fan Speed Controller

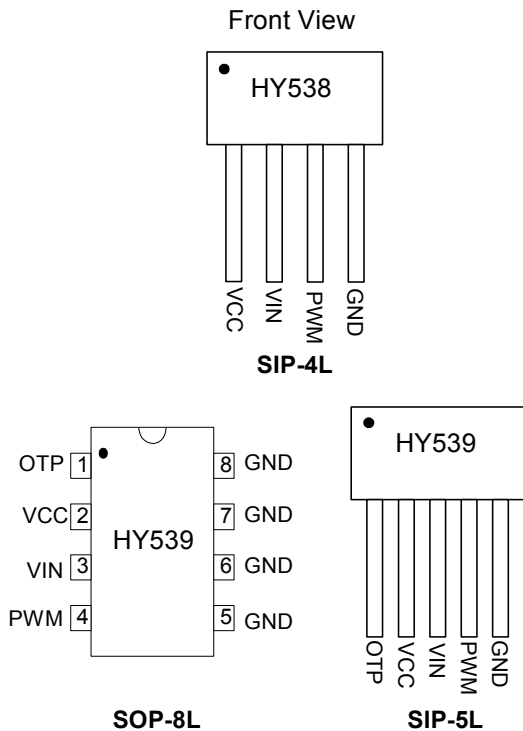
■ Features

- Built-in 30Khz OSC provide 0%~100% PWM output
- Over Temperature Protector (OTP) flag (HY539 only)
- Open collect output (OTP & PWM pins)
- SIP-4L package for HY538
- SIP-5L, SOP-8L package for HY539

■ Applications

- PC Power.
- DC Fan

■ Pin Assignment



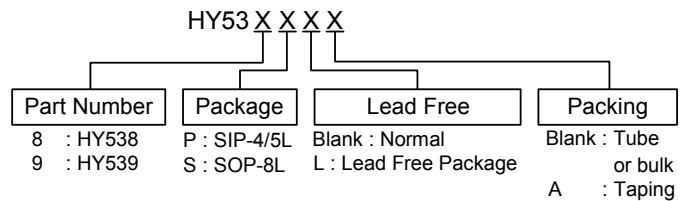
■ General Descriptions

The HY538/9 series's PWM output is built-in NPN power transistor whom control the Fan current & Fan speed. HY539 built-in over temperature alarm flag.

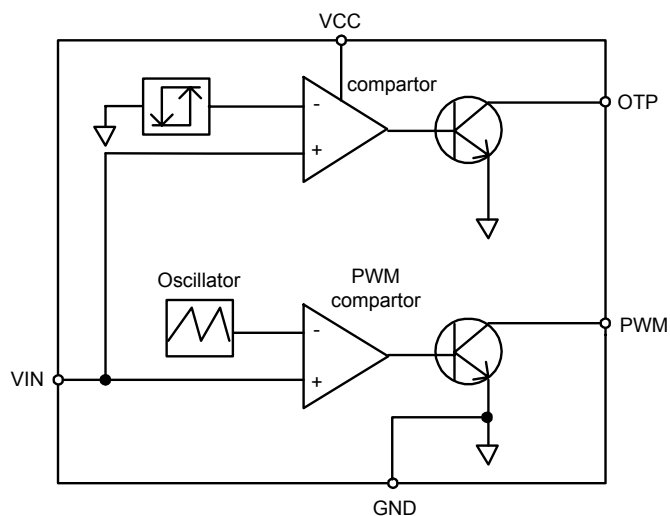
■ Pin Descriptions

Name	Description
V _{CC}	Operating voltage input
V _{IN}	Reference input voltage
OTP	Over Temperature protect flag
PWM	PWM Open Collect Output
GND	Ground

■ Ordering Information



■ Block Diagrams



■ Absolute Maximum Ratings

Symbol	Parameter	Rating	Unit
V_{CC}	Supply Voltage	20	V
V_{IN}	Input voltage	20	V
OTP	Over temperature output.	20	V
PWM	Output voltage to Ground	20	V
P_D	Power dissipation (SIP-4/5L)	0.5	W
P_D	Power dissipation (SOP-8L)	0.8	W
T_{ST}	Storage temperature range	-65 to 150	°C
T_{OP}	Operating temperature range	0 to +85	°C
V_{OP}	Operating voltage range	7.0 to 18	V

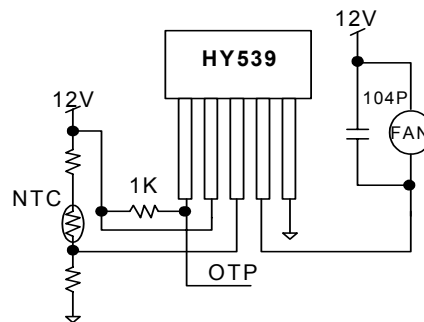
PWM Fan Speed Controller

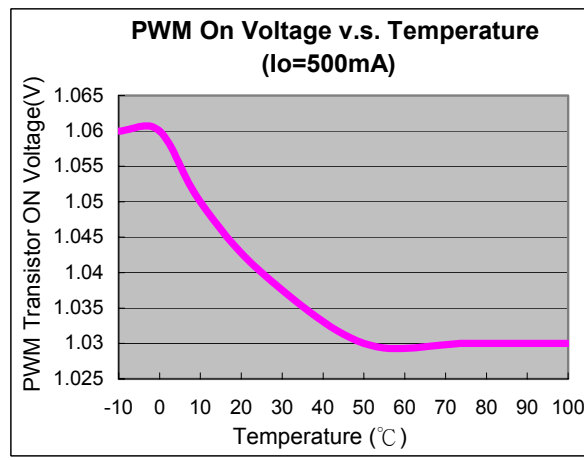
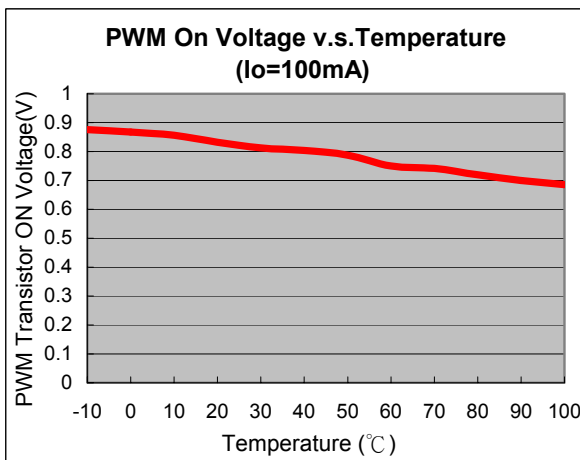
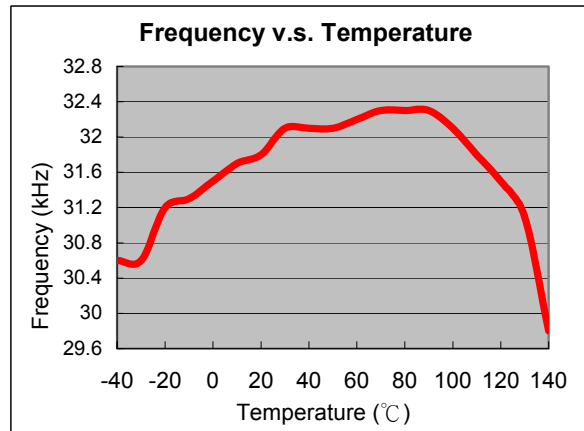
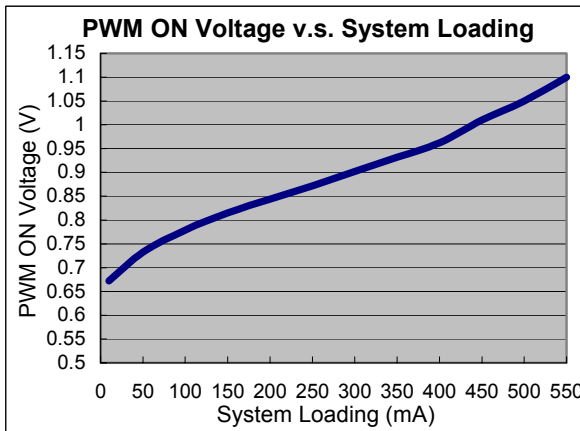
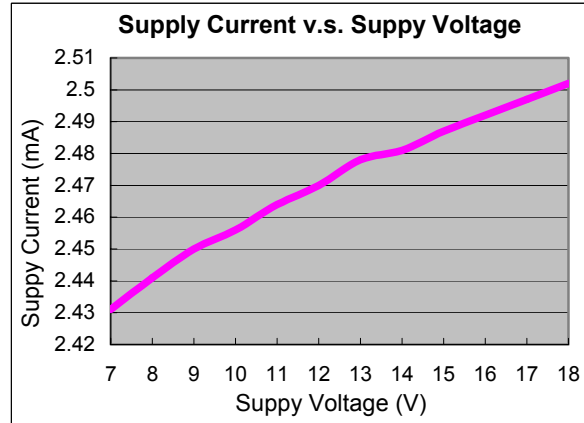
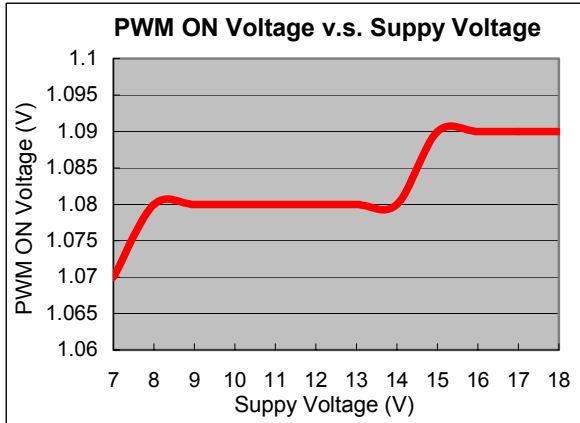
■ Electrical Characteristics

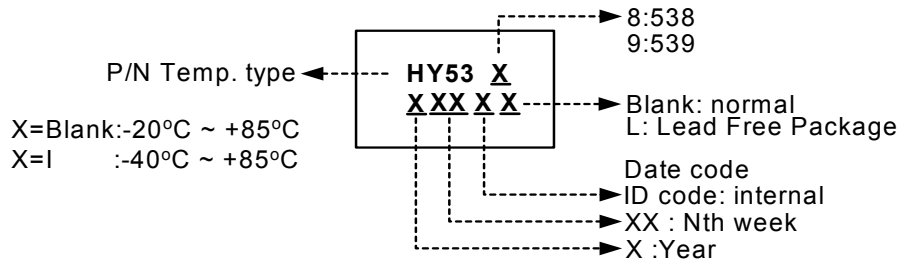
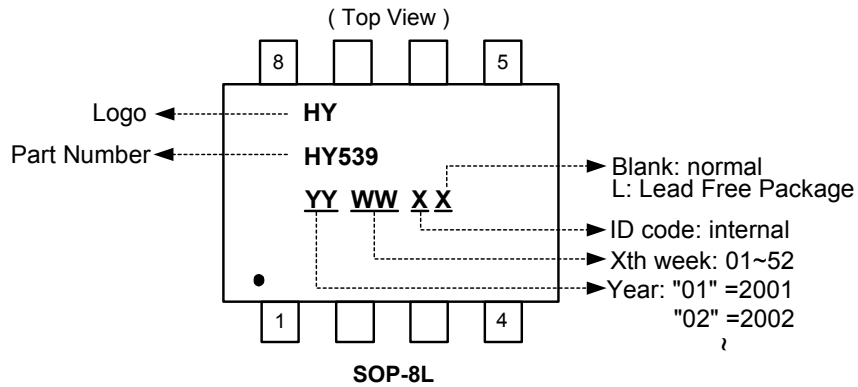
Unless otherwise specified, guaranteed for $T_j=25^{\circ}\text{C}$, $V_{CC}=12\text{V}$.

Symbol	Parameter	Conditions	Min.	Typ.	Max.	Units
V_{CC}	Supply Voltage		7.0	-	18	V
I_{IN}	Input Bias Current(V_{IN} Pin)	$V_{IN}=2.0\text{V}$,	0.5	2	7	μA
V_{IN}	Input Voltage Range		0	-	$V_{CC}-0.5$	V
DUTY	PWM duty cycle range		0	-	100	%
$V_{IN(OTP)}$	OTP Detect Voltage		3.3	3.4	3.5	V
$V_{IN(Release)}$	OTP release Voltage		2.65	2.75	2.85	V
$V_{IN(HS)}$	OTP detect Voltage Hysteresis		450	650	850	mV
$V_{IN(PWM0)}$	Max Input voltage of 0% PWM		0.75	0.8	0.85	V
$V_{IN(PWM100)}$	Min Input voltage of 100% PWM		2.80	2.85	2.90	V
I_S	Supply Current	Output floating	-	2.5	-	mA
$V_{PWM(ON)}$	PWM transistor ON voltage	$I_{PWM}=500\text{mA}$ continued	-	1.1	1.3	V
I_{PWM}	Max. sink current		500	-	-	mA
$V_{OTP(L)}$	OTP low level voltage	$I_{OTP}=20\text{mA}$		0.3	0.6	V
I_{OTP}	Max. sink current		20	-	-	mA
F_{OSC}	OSC Frequency	$0^{\circ}\text{C}<T_J<85^{\circ}\text{C}$	22	30	38	Khz

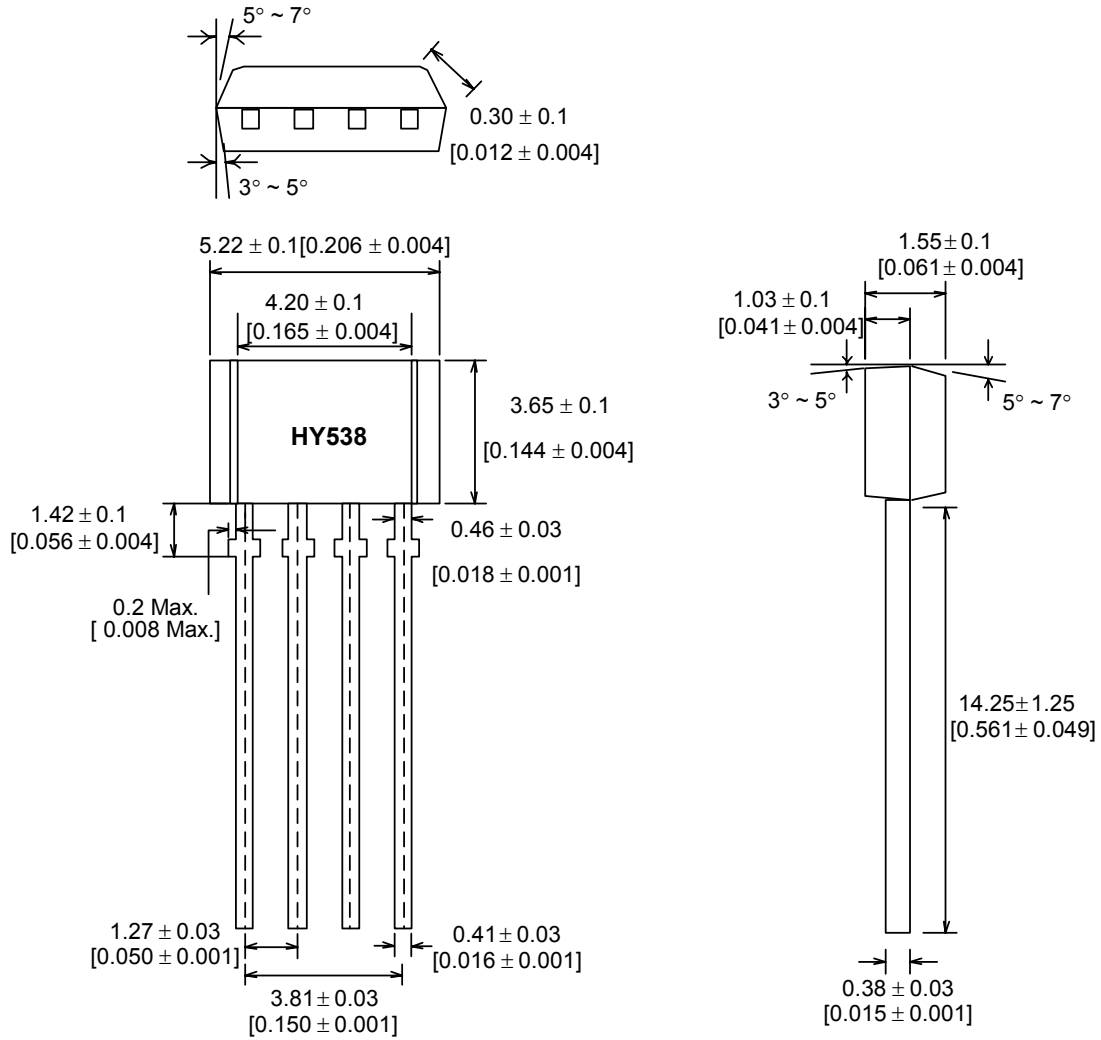
■ Application Circuit



PWM Fan Speed Controller
■ Typical Characteristics


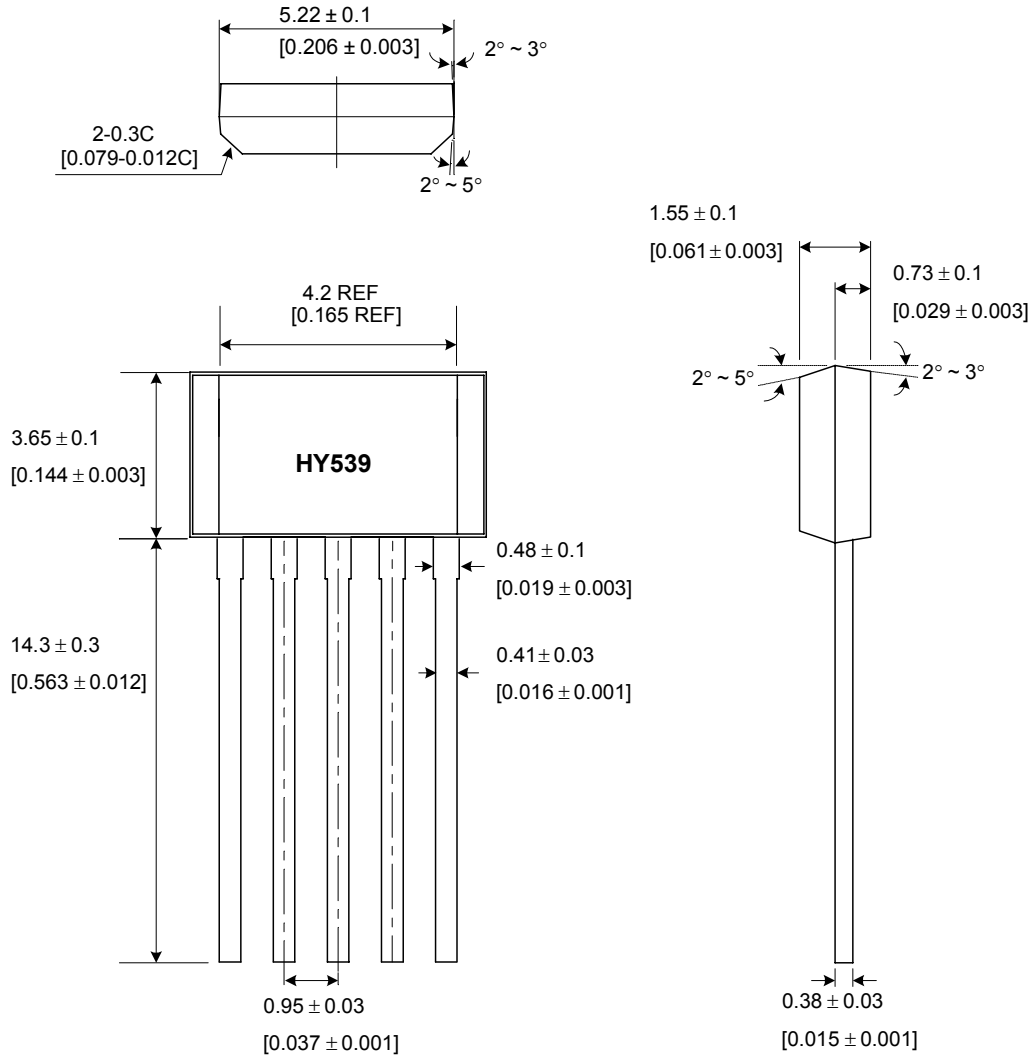
■ Marking Information
(1) SIP4/5L

(2) SOP-8L


■ Package Information

 (1) Package Type: **SIP-4L** (unit: mm / [inch])


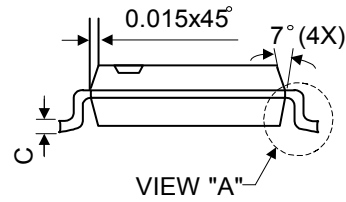
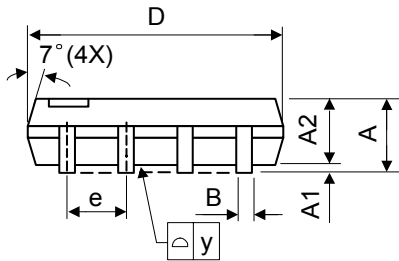
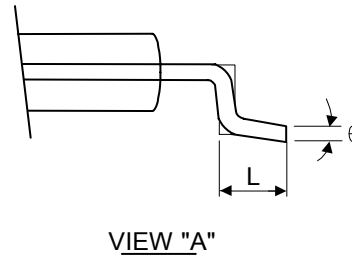
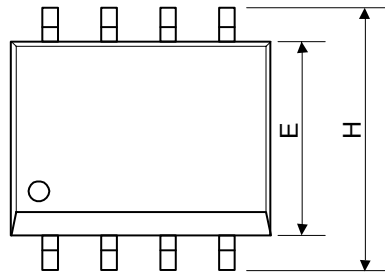
■ Package Information (Continued)

(2) Package Type: SIP-5L (unit: mm / [inch])



■ Package Information (Continued)

(3) Package Type: SOP-8L



Symbol	Dimensions In Millimeters			Dimensions In Inches		
	Min.	Nom.	Max.	Min.	Nom.	Max.
A	1.40	1.60	1.75	0.055	0.063	0.069
A1	0.10	-	0.25	0.040	-	0.100
A2	1.30	1.45	1.50	0.051	0.057	0.059
B	0.33	0.41	0.51	0.013	0.016	0.020
C	0.19	0.20	0.25	0.0075	0.008	0.010
D	4.80	5.05	5.30	0.189	0.199	0.209
E	3.70	3.90	4.10	0.146	0.154	0.161
e	-	1.27	-	-	0.050	-
H	5.79	5.99	6.20	0.228	0.236	0.244
L	0.38	0.71	1.27	0.015	0.028	0.050
y	-	-	0.10	-	-	0.004
θ	0°	-	8°	0°	-	8°